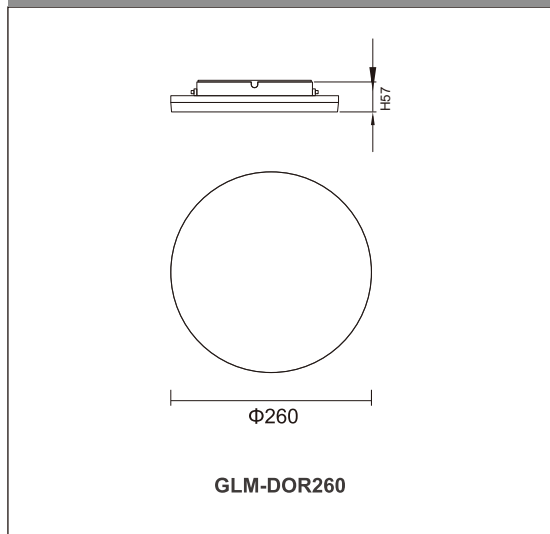
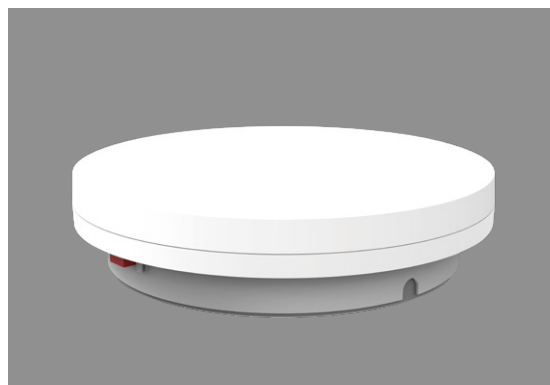


Product Data Sheet

GLMDOR260

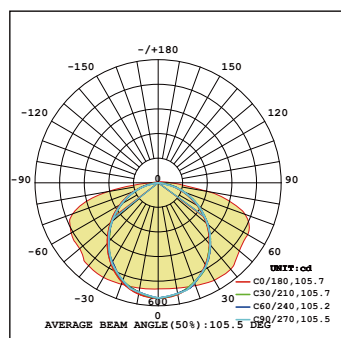
120
LM/W



Products And Data

Model NO	GLM-DOR260
Size	Φ260*57mm
Power	8/10/15W
CCT	3/4/6000K
CRI	>90
Lumens Output	960/1200/1800LM
LED	SMD2835
Number of LED	576
Dimming	CCT/Power/Switchable
Fire-proof Level	V0
AC Input	200V-240V AC
IP Level	IP54
SDCM	<3
Beam Angle	150°↓
Slow-Starting Time	10S
Lifespan	Life of 50000 hours

Spectrogram



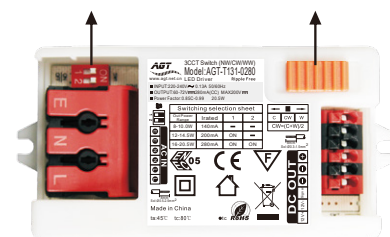
Power Supply

Switching selection sheet			
Out Power Range	I rated	1	2
8-10.0W	140mA	-	-
12-14.5W	200mA	ON	-
16-20.5W	280mA	ON	ON

← [] →

C CW W

$CW = (C+W)/2$



Features

- Modular Product Design,Exquisite appearance-Easy to install.
- SMD2835 LED,AGT Driver outsid.
- 120lm/w SDCM<3 PC material V0,IP54.IK10.
- Color Temp:3000/4000/6000K-Beam angle:160°
- Quick and Easy Installation.
- Modular design, Driver/PCBA replaceable.



Shenzhen Gleamia Lighting

☎ Tel:+86-755-89589529 ☎ Fax:+86-755-89507460 ☎ Email:mark@gleamia.net ☎ Web:www.gleamia.net
 📍 Add:2nd Floor,Block C,Building 1,Hisense Science & Technology Park,Longgang, Shenzhen,China