



Gleamia

深圳市格利美照明有限公司  
Shenzhen Gleamia Lighting Co.,Ltd

Website: [www.gleamia.net](http://www.gleamia.net)

E-mail : [sales@gleamia.net](mailto:sales@gleamia.net)

Tel : +86 755 8950 7456

地址：深圳市龙岗区布吉街道甘李六路 12 号中海信创新产业城 14C 栋第 2 层

Add : Floor 2, Block 14-C, Zhonghaixin Innovation tech-Park,Ganli Six Rd. No12, Buji Town, Longgang District, Shenzhen, P.R.China

## LED Panel Light Specification List



**Product Name: LED Panel Light**

**Model No : GLM-SPL12060-54W-D**





Gleamia

深圳市格利美照明有限公司  
Shenzhen Gleamia Lighting Co.,Ltd

Website: [www.gleamia.net](http://www.gleamia.net)

E-mail : sales@gleamia.net

Tel : +86 755 8950 7456

地址：深圳市龙岗区布吉街道甘李六路 12 号中海信创新产业城 14C 栋第 2 层

Add : Floor 2, Block 14-C, Zhonghaixin Innovation tech-Park,Ganli Six Rd. No12, Buji Town, Longgang District, Shenzhen, P.R.China

---

## **\*\* Contents \*\***

1. Product Description	2
2. Application	2
3. Technical Parameter	3
4. Dimension	4
5. Luminous Distribution Diagram	4
6. Illuminance Diagram	5
7. LED Life Prediction	5
8. Package	6
9. Installation Method	7
10. Attention on Installation	8
11. Notes on using	8
12. Maintenance Suggestion	8



Gleamia

深圳市格利美照明有限公司  
Shenzhen Gleamia Lighting Co.,Ltd

Website: [www.gleamia.net](http://www.gleamia.net)

E-mail : [sales@gleamia.net](mailto:sales@gleamia.net)

Tel : +86 755 8950 7456

地址：深圳市龙岗区布吉街道甘李六路 12 号中海信创新产业城 14C 栋第 2 层

Add : Floor 2, Block 14-C, Zhonghaixin Innovation tech-Park,Ganli Six Rd. No12, Buji Town, Longgang District, Shenzhen, P.R.China

---

## Product Description

- Super slim design, save 70% energy, High efficiency 110LM/W with uniformed luminance.
- Life span: 50000 hours.
- Wide range of input voltage: AC100-240V.
- Instant start, no noise, no flickering.
- New high efficiency constant current driver.
- Professional circuit design, each group of LEDs work separately to avoid any problem of lighting output caused by single faulty LED.
- No electrical wave interference, confirm to the standard of CE.
- No plumbum, green environment friendly, confirm to the standard of RoHS.
- No RF interference.

## Application Scope

Hotel	Meeting Room	Factory & Office
Commercial Purpose	Residential & Institution	School
Hospital	Other lighting location	



Gleamia

深圳市格利美照明有限公司  
Shenzhen Gleamia Lighting Co.,Ltd

Website: [www.gleamia.net](http://www.gleamia.net)

E-mail : sales@gleamia.net

Tel : +86 755 8950 7456

地址：深圳市龙岗区布吉街道甘李六路 12 号中海信创新产业城 14C 栋第 2 层

Add : Floor 2, Block 14-C, Zhonghaixin Innovation tech-Park,Ganli Six Rd. No12, Buji Town, Longgang District, Shenzhen, P.R.China

## Technical Parameter

No	Parameter	
01	Szie	1195*595*10mm
02	Input Voltage	AC 100-240V
03	Working Voltage	≤38V
04	Power	□54W
05	Luminous	≥5800 lm
06	Power Efficiency	≥110 lm/w
07	Color	Warm/Natural/Cool White
08	Color Temp	□WW / Warm White <b>2800-3200K</b> □NW / Natural White <b>4000-4500K</b> □CW / Cool White <b>6000-6500K</b>
09	CRI	≥80Ra
10	LED Qty	216 PCS
11	LED Type	2835(0.5W)
12	Life Span	50000 Hours
13	Operating Temp	-20°C — 50°C
14	Storage Temp	-20°C — 60°C
15	Net Weight	6.4KG
16	Gross Weight	7.7 KG
17	IP	IP 40



Gleamia

深圳市格利美照明有限公司  
Shenzhen Gleamia Lighting Co.,Ltd

Website: [www.gleamia.net](http://www.gleamia.net)

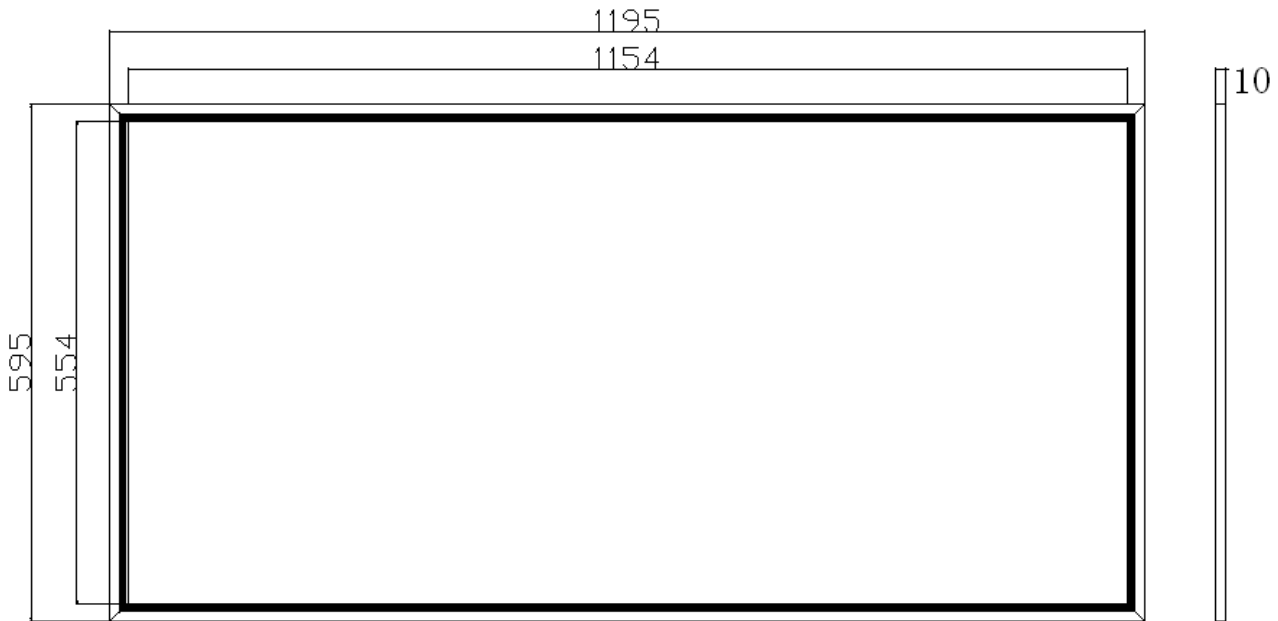
E-mail : [sales@gleamia.net](mailto:sales@gleamia.net)

Tel : +86 755 8950 7456

地址：深圳市龙岗区布吉街道甘李六路 12 号中海信创新产业城 14C 栋第 2 层

Add : Floor 2, Block 14-C, Zhonghaixin Innovation tech-Park,Ganli Six Rd. No12, Buji Town, Longgang District, Shenzhen, P.R.China

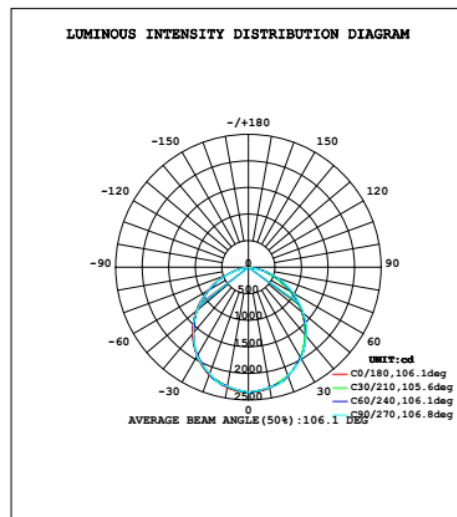
## Product Dimension:



### Remarks:

1. The above dimension are based on “mm”
2. There is a tolerance about  $\pm 0.5\text{mm}$

## Luminous Distribution Diagram :





Gleamia

深圳市格利美照明有限公司  
Shenzhen Gleamia Lighting Co.,Ltd

Website: [www.gleamia.net](http://www.gleamia.net)

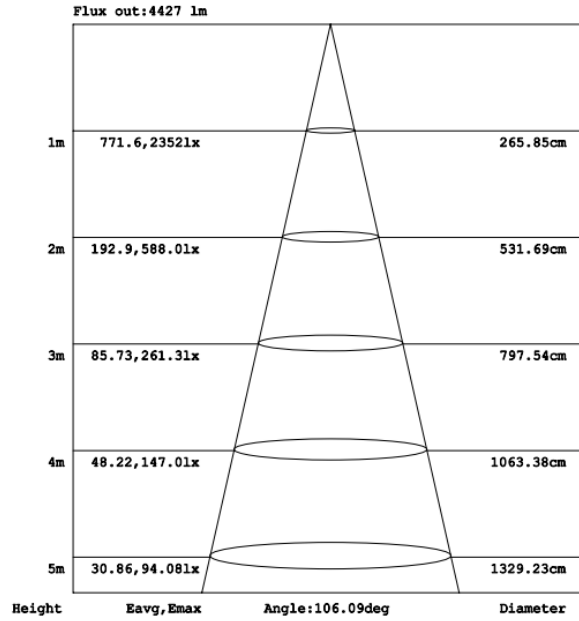
E-mail : [sales@gleamia.net](mailto:sales@gleamia.net)

Tel : +86 755 8950 7456

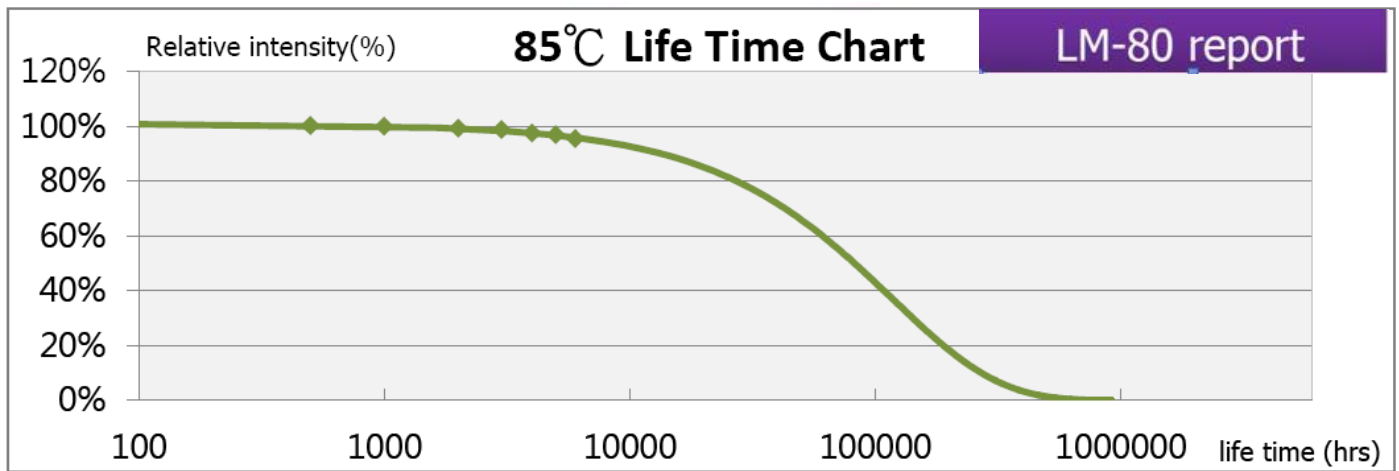
地址：深圳市龙岗区布吉街道甘李六路 12 号中海信创新产业城 14C 栋第 2 层

Add : Floor 2, Block 14-C, Zhonghaixin Innovation tech-Park,Ganli Six Rd. No12, Buji Town, Longgang District, Shenzhen, P.R.China

### Illuminance Diagram :



### LED Life Prediction





Gleamia

深圳市格利美照明有限公司

Shenzhen Gleamia Lighting Co.,Ltd

Website: [www.gleamia.net](http://www.gleamia.net)

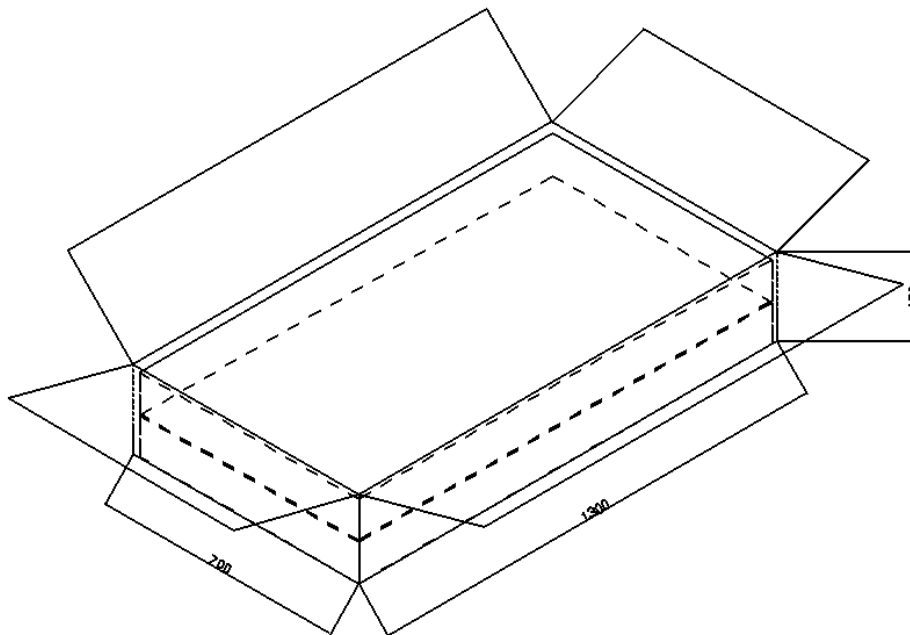
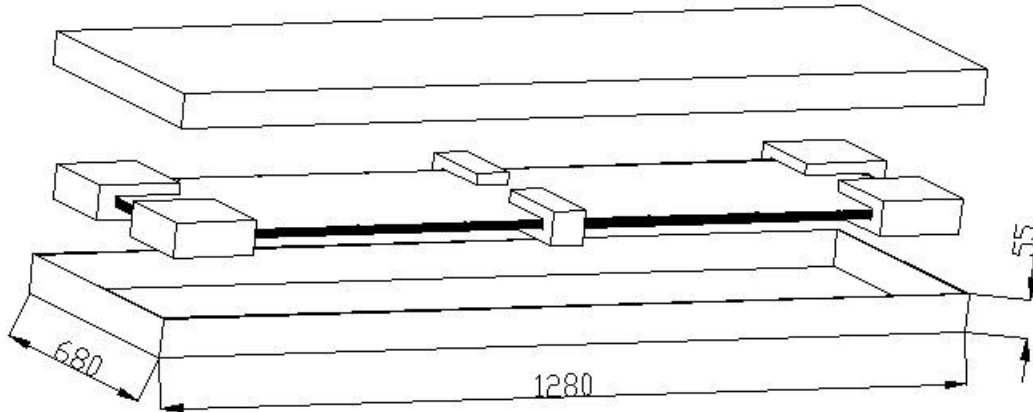
E-mail : [sales@gleamia.net](mailto:sales@gleamia.net)

Tel : +86 755 8950 7456

地址：深圳市龙岗区布吉街道甘李六路 12 号中海信创新产业城 14C 栋第 2 层

Add : Floor 2, Block 14-C, Zhonghaixin Innovation tech-Park,Ganli Six Rd. No12, Buji Town, Longgang District, Shenzhen, P.R.China

## Package:



### Packing Size:

Inner Box: 1280x680x55mm (1pcs/box)      Net Weight: 6.4KG      Gross Weight: 7.7KG

Carton: 1300x700x130mm (2boxes/carton)      Net Weight: 15.4KG      Gross Weight:18.2KG

2boxes packed in a Carton



Gleamia

深圳市格利美照明有限公司  
Shenzhen Gleamia Lighting Co.,Ltd

Website: [www.gleamia.net](http://www.gleamia.net)

E-mail : [sales@gleamia.net](mailto:sales@gleamia.net)

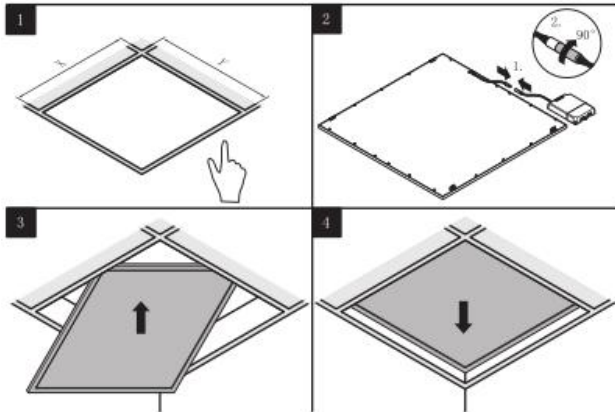
Tel : +86 755 8950 7456

地址：深圳市龙岗区布吉街道甘李六路 12 号中海信创新产业城 14C 栋第 2 层

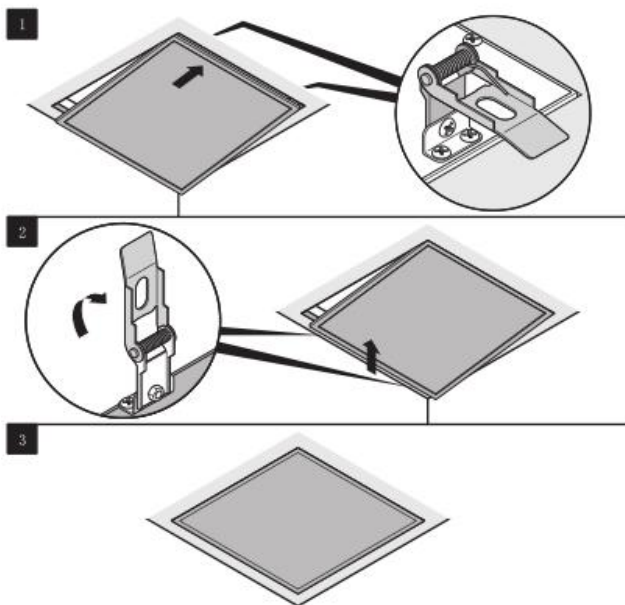
Add : Floor 2, Block 14-C, Zhonghaixin Innovation tech-Park,Ganli Six Rd. No12, Buji Town, Longgang District, Shenzhen, P.R.China

## Installation Method:

### Embedded installation

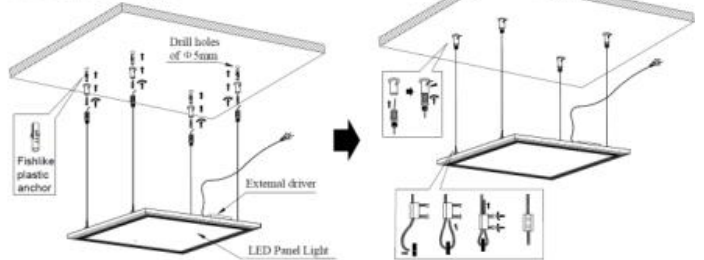


### Spring mounting

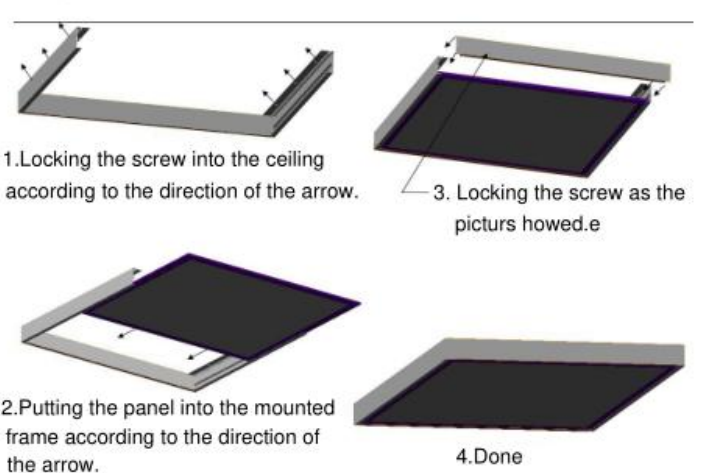


### Suspended type

#### B. Suspended type



### Ceiling surface mounted







Gleamia

深圳市格利美照明有限公司  
Shenzhen Gleamia Lighting Co.,Ltd

Website: [www.gleamia.net](http://www.gleamia.net)

E-mail : [sales@gleamia.net](mailto:sales@gleamia.net)

Tel : +86 755 8950 7456

地址：深圳市龙岗区布吉街道甘李六路 12 号中海信创新产业城 14C 栋第 2 层

Add : Floor 2, Block 14-C, Zhonghaixin Innovation tech-Park,Ganli Six Rd. No12, Buji Town, Longgang District, Shenzhen, P.R.China

---

## Attention on Installation:

1. Panel lights should be installed by trained electronic technician.
2. Please check all the accessories when open the cartons.
3. The distance between the light and any flammable materials must be more than 0.2m. The distance between the upper part of the installed light and the ceiling must not be less than 2 cm. Lamps can't be installed in walls or ceilings, keep away from heat sources, low and high voltage cables should be laid separately.
4. Guide the lights' connecting cables through the drilled hole, and fix the surface-mounted lights with the pre-fitted clips. Make sure that these are securely connected to the base material.
5. When laying the cables, make sure that the cables and plugs are not subjected to any tensile or twisting forces. Do not kink cables. Output cables should be laid separately and at a distance from other cables.
6. After installation, connect the transformer to the mains supply
7. Proceed by connecting the wiring cables to the lights. Usually, the brown (or black) wire is the Live wire, connect it with the terminal marked "L". The blue wire is Naughty wire; connect it with the terminal marked "N".
8. Use the dedicated LED drivers only, do not connect to other loads
9. Do not remove the label of the lights and drivers.

## Notes on Using:

1. Please always use the light out of its package.
2. Before starting use of the light, please check if the light was damaged during transportation. If any damage shown, please DO not install or use it.
3. Any maintenance should be performed by trained professionals only.
4. Keep packaging material away from the reach of children and pets.
5. Caution: Keep children away from the lights, there are some small components that may be swallowed by children, and never allow them to play with electrical devices.
6. Try to avoid looking directly at lights for a long time. Do not shine the LED light in another person's eyes.
7. Never cover the lights by other objects
8. Keep the panel light away from the flames or heat sources.
9. The lights should be inspected repaired or special treatment if beyond service time.
10. Non-professionals are not allowed to disassemble and maintain the products. We have the right not to provide after-sale service if unauthorized disassembly and maintenance happens to the products.

## Maintenance:

1. Before to clearing the panel lights, please make sure it have been powered OFF.
2. Use a dry or slightly moistened cloth for cleaning.
3. Never use any chemicals or abrasives for cleaning.