



Gleamia

深圳市格利美照明有限公司
Shenzhen Gleamia Lighting Co.,Ltd

Website: www.gleamia.net

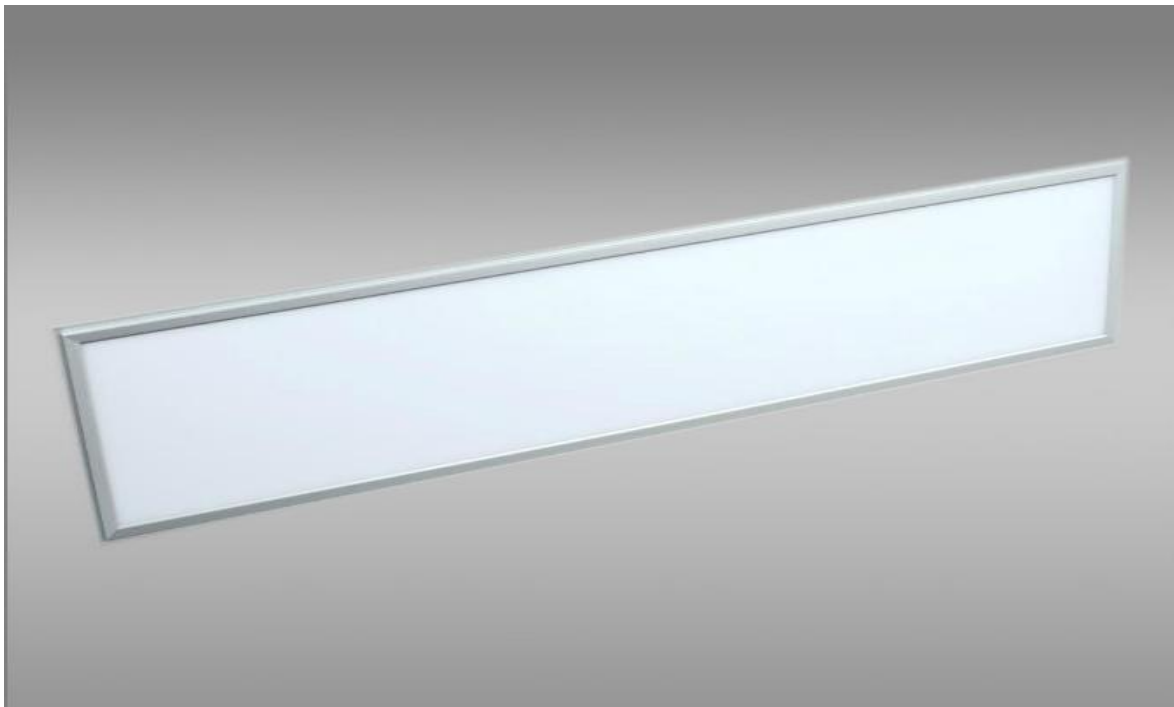
E-mail : sales@gleamia.net

Tel : +86 755 8950 7456

地址：深圳市龙岗区布吉街道甘李六路 12 号中海信创新产业城 14C 栋第 2 层

Add : Floor 2, Block 14-C, Zhonghaixin Innovation tech-Park, Ganli Six Rd. No12, Buji Town, Longgang District, Shenzhen, P.R.China

LED Panel Light Specification List



Product Name: LED Panel Light

Model No : GLM-SPL12030-36W-B





Gleamia

深圳市格利美照明有限公司
Shenzhen Gleamia Lighting Co.,Ltd

Website: www.gleamia.net

E-mail : sales@gleamia.net

Tel : +86 755 8950 7456

地址：深圳市龙岗区布吉街道甘李六路 12 号中海信创新产业城 14C 栋第 2 层

Add : Floor 2, Block 14-C, Zhonghaixin Innovation tech-Park,Ganli Six Rd. No12, Buji Town, Longgang District, Shenzhen, P.R.China

**** Contents ****

1. Product Description	2
2. Application	2
3. Technical Parameter	3
4. Dimension	4
5. Luminous Distribution Diagram	4
6. Illuminance Diagram	5
7. LED Life Prediction	5
8. Package	6
9. Installation Method	7
10. Attention on Installation	8
11. Notes on using	8
12. Maintenance Suggestion	8



Gleamia

深圳市格利美照明有限公司
Shenzhen Gleamia Lighting Co.,Ltd

Website: www.gleamia.net

E-mail : sales@gleamia.net

Tel : +86 755 8950 7456

地址：深圳市龙岗区布吉街道甘李六路 12 号中海信创新产业城 14C 栋第 2 层

Add : Floor 2, Block 14-C, Zhonghaixin Innovation tech-Park,Ganli Six Rd. No12, Buji Town, Longgang District, Shenzhen, P.R.China

Product Description

- Super slim design, save 70% energy, High efficiency 90LM/W with uniformed luminance.
- Life span: 30000 hours
- Input voltage: AC170-240V
- Instant start, no noise, no flickering
- New high efficiency constant current driver.
- Professional circuit design, each group of LEDs work separately to avoid any problem of lighting output caused by single faulty LED.
- No electrical wave interference, confirm to the standard of CE.
- No plumbum, green environment friendly, confirm to the standard of RoHS.
- No RF interference.

Application Scope

Hotel	Meeting Room	Factory & Office
Commercial Purpose	Residential & Institution	School
Hospital	Other lighting location	



Gleamia

深圳市格利美照明有限公司
Shenzhen Gleamia Lighting Co.,Ltd

Website: www.gleamia.net

E-mail : sales@gleamia.net

Tel : +86 755 8950 7456

地址：深圳市龙岗区布吉街道甘李六路 12 号中海信创新产业城 14C 栋第 2 层

Add : Floor 2, Block 14-C, Zhonghaixin Innovation tech-Park,Ganli Six Rd. No12, Buji Town, Longgang District, Shenzhen, P.R.China

Technical Parameter

No	Parameter	
01	Szie	1195*295*10mm
02	Input Voltage	AC 170-240V
03	Working Voltage	≤38V
04	Power	□36W
05	Luminous	≥3200 lm
06	Power Efficiency	≥90 lm/w
07	Color	Warm/Natural/Cool White
08	Color Temp	□WW / Warm White 2800-3200K □NW / Natural White 4000-4500K □CW / Cool White 6000-6500K
09	CRI	≥80Ra
10	LED Qty	192 PCS
11	LED Type	2835
12	Life Span	30000 Hours
13	Operating Temp	-20°C — 50°C
14	Storage Temp	-20°C — 60°C
15	Net Weight	3.1 KG
16	Gross Weight	3.75 KG
17	IP	IP 40



Gleamia

深圳市格利美照明有限公司
Shenzhen Gleamia Lighting Co.,Ltd

Website: www.gleamia.net

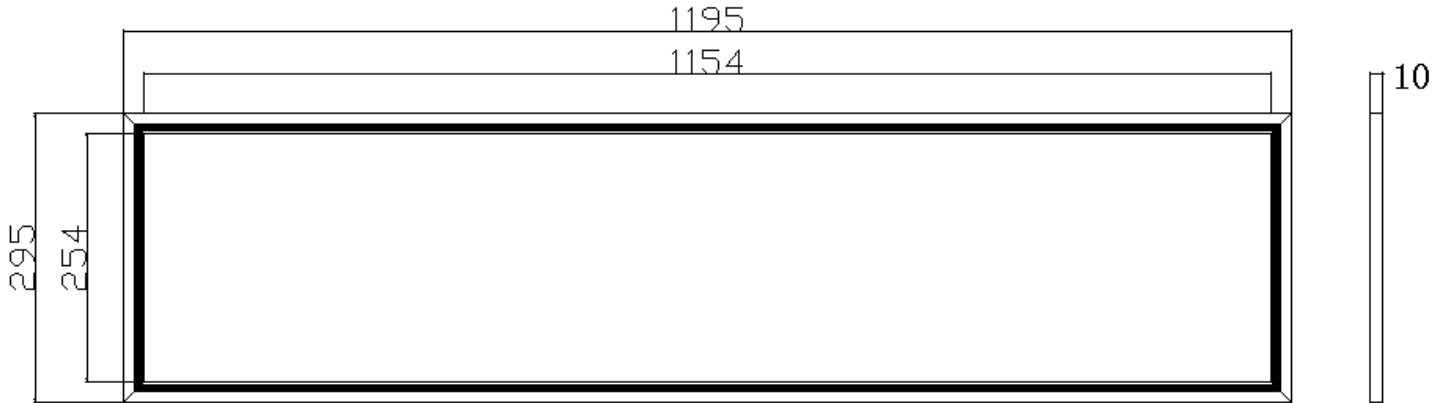
E-mail : sales@gleamia.net

Tel : +86 755 8950 7456

地址：深圳市龙岗区布吉街道甘李六路 12 号中海信创新产业城 14C 栋第 2 层

Add : Floor 2, Block 14-C, Zhonghaixin Innovation tech-Park,Ganli Six Rd. No12, Buji Town, Longgang District, Shenzhen, P.R.China

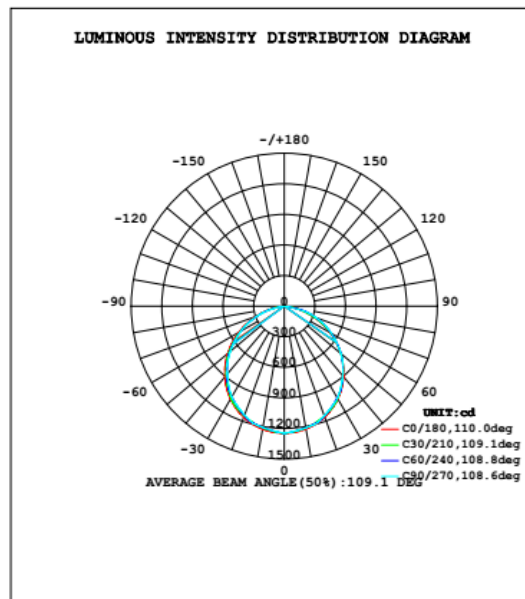
Product Dimension:



Remarks:

1. The above dimension are based on “mm”
2. There is a tolerance about $\pm 0.5\text{mm}$

Luminous Distribution Diagram :





Gleamia

深圳市格利美照明有限公司
Shenzhen Gleamia Lighting Co.,Ltd

Website: www.gleamia.net

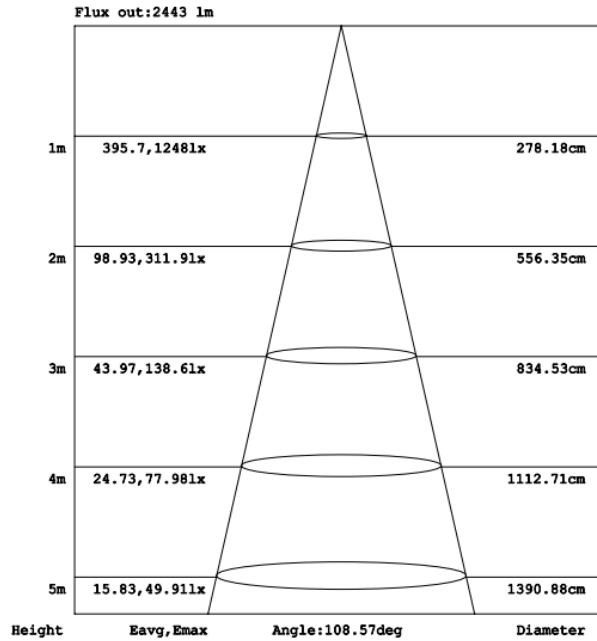
E-mail : sales@gleamia.net

Tel : +86 755 8950 7456

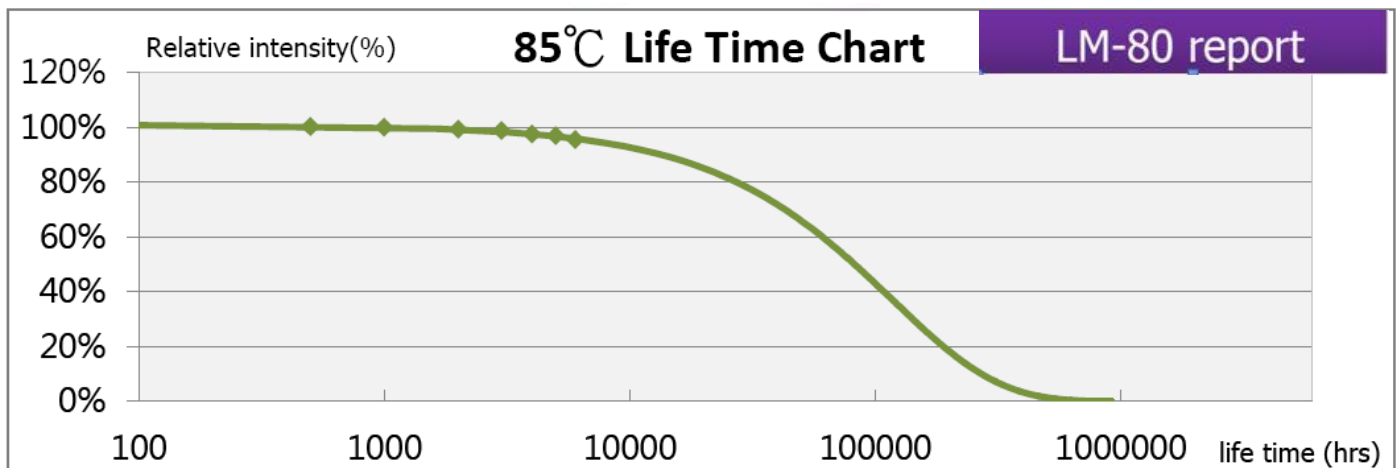
地址：深圳市龙岗区布吉街道甘李六路 12 号中海信创新产业城 14C 栋第 2 层

Add : Floor 2, Block 14-C, Zhonghaixin Innovation tech-Park,Ganli Six Rd. No12, Buji Town, Longgang District, Shenzhen, P.R.China

Illuminance Diagram :



LED Life Prediction





Gleamia

深圳市格利美照明有限公司
Shenzhen Gleamia Lighting Co.,Ltd

Website: www.gleamia.net

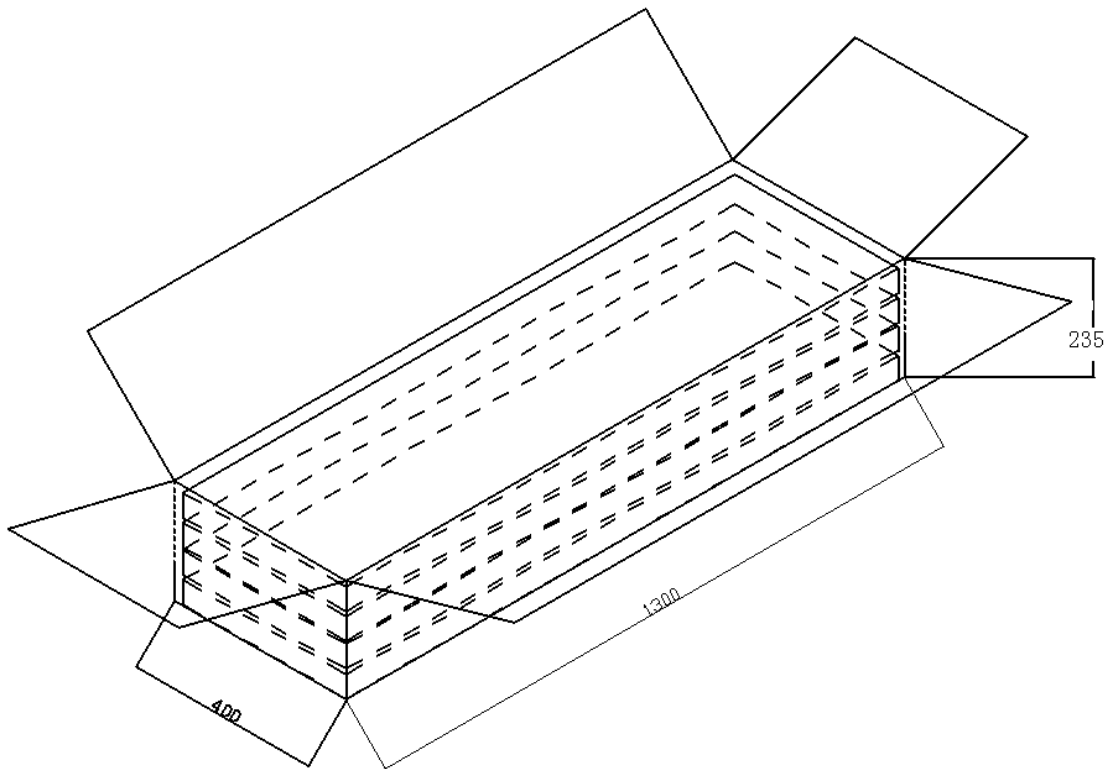
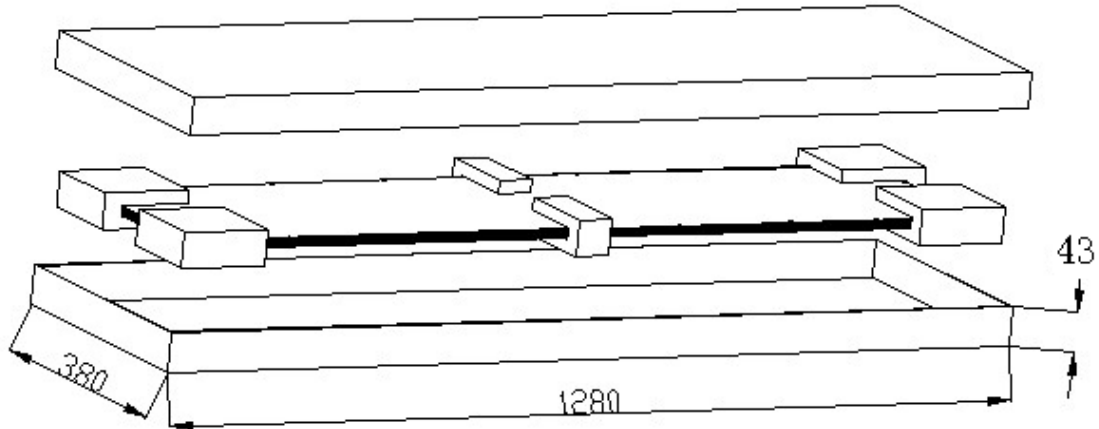
E-mail : sales@gleamia.net

Tel : +86 755 8950 7456

地址：深圳市龙岗区布吉街道甘李六路 12 号中海信创新产业城 14C 栋第 2 层

Add : Floor 2, Block 14-C, Zhonghaixin Innovation tech-Park, Ganli Six Rd. No12, Buji Town, Longgang District, Shenzhen, P.R.China

Package:



Packing Size:

Inner Box: 1280×380×43mm (1pcs/box) Net Weight: 3.1KG Gross Weight: 3.75KG

Carton: 1300×400×235mm (5boxes/carton) Net Weight: 18.75KG Gross Weight: 20.95 KG

5boxes packed in a Carton



Gleamia

深圳市格利美照明有限公司
Shenzhen Gleamia Lighting Co.,Ltd

Website: www.gleamia.net

E-mail : sales@gleamia.net

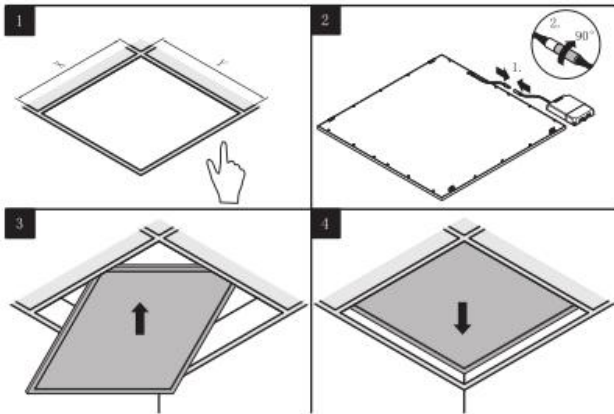
Tel : +86 755 8950 7456

地址：深圳市龙岗区布吉街道甘李六路 12 号中海信创新产业城 14C 栋第 2 层

Add : Floor 2, Block 14-C, Zhonghaixin Innovation tech-Park,Ganli Six Rd. No12, Buji Town, Longgang District, Shenzhen, P.R.China

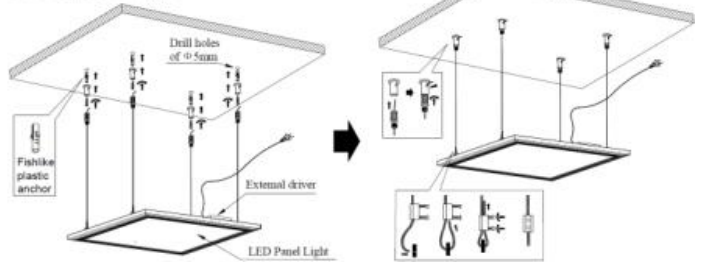
Installation Method:

Embedded installation

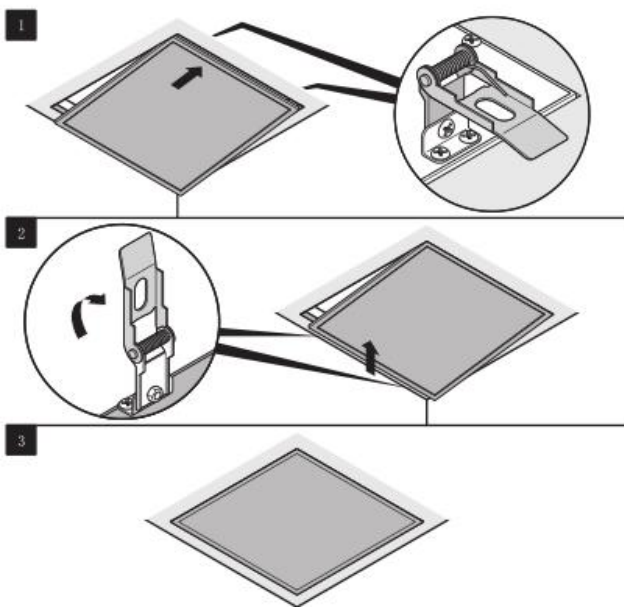


Suspended type

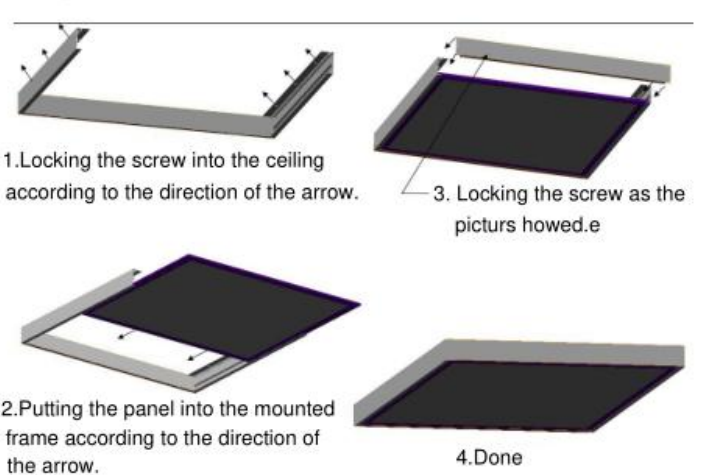
B. Suspended type



Spring mounting



Ceiling surface mounted





Gleamia

深圳市格利美照明有限公司
Shenzhen Gleamia Lighting Co.,Ltd

Website: www.gleamia.net

E-mail : sales@gleamia.net

Tel : +86 755 8950 7456

地址：深圳市龙岗区布吉街道甘李六路 12 号中海信创新产业城 14C 栋第 2 层

Add : Floor 2, Block 14-C, Zhonghaixin Innovation tech-Park,Ganli Six Rd. No12, Buji Town, Longgang District, Shenzhen, P.R.China

Attention on Installation:

1. Panel lights should be installed by trained electronic technician.
2. Please check all the accessories when open the cartons.
3. The distance between the light and any flammable materials must be more than 0.2m. The distance between the upper part of the installed light and the ceiling must not be less than 2 cm. Lamps can't be installed in walls or ceilings, keep away from heat sources, low and high voltage cables should be laid separately.
4. Guide the lights' connecting cables through the drilled hole, and fix the surface-mounted lights with the pre-fitted clips. Make sure that these are securely connected to the base material.
5. When laying the cables, make sure that the cables and plugs are not subjected to any tensile or twisting forces. Do not kink cables. Output cables should be laid separately and at a distance from other cables.
6. After installation, connect the transformer to the mains supply
7. Proceed by connecting the wiring cables to the lights. Usually, the brown (or black) wire is the Live wire, connect it with the terminal marked "L". The blue wire is Naughtly wire; connect it with the terminal marked "N".
8. Use the dedicated LED drivers only, do not connect to other loads
9. Do not remove the label of the lights and drivers.

Notes on Using:

1. Please always use the light out of its package.
2. Before starting use of the light, please check if the light was damaged during transportation. If any damage shown, please DO not install or use it.
3. Any maintenance should be performed by trained professionals only.
4. Keep packaging material away from the reach of children and pets.
5. Caution: Keep children away from the lights, there are some small components that may be swallowed by children, and never allow them to play with electronical devices.
6. Try to avoid looking directly at lights for a long time. Do not shine the LED light in another person's eyes.
7. Never cover the lights by other objects
8. Keep the panel light away from the flames or heat sources.
9. The lights should be inspected repaired or special treatment if beyond service time.
10. Non-professionals are not allowed to disassemble and maintain the products. We have the right not to provide after-sale service if unauthorized disassembly and maintenance happens to the products.

Maintenance:

1. Before to clearing the panel lights, please make sure it have been powered OFF.
2. Use a dry or slightly moistened cloth for cleaning.
3. Never use any chemicals or abrasives for cleaning.